

PART NO. DESIGNATION
PTE7100 - 2 1 A A - 1 A 040B M .810 A

PRESSURE RANGE
0~29bar...1
30~100bar...2
101~250bar...3
251~400bar...4
401~600bar...5

OUTPUT TYPE
4-20 mA/8-32VDC.....1
0.5-4.5VDC/5±0.25VDC.....2
0-5VDC/8-32VDC.....3
0-10 VDC/12-32VDC.....3
1-5VDC/8-32VDC.....3
0.5-4.5VDC/8-32VDC.....3

PRESSURE PORT
G1/4A DIN 3852-EA
1/4-19 PT (1/4-19 BSPT),(R1/4).....B
7/16-20 UNF SAE J1926-2.....C
1/4-18 NPTD

ELECTRICAL CONNECTOR
(DETAILS SEE PAGE 2)
DIN 175301-803 A (18mm).....A
M12x1 - 4 POLE.....B
PACKARD METRI-PACK 150.....C
FLY LEAD HARNESS (2m).....D
DEUTSCH DT04-3P.....E
GTMS CONNECTOR M12X1 -4P.....H

MOQ
A.....MOQ500pcs
B.....MOQ50pcs
C.....MOQ500pcs INDIVIDUAL PACKAGE

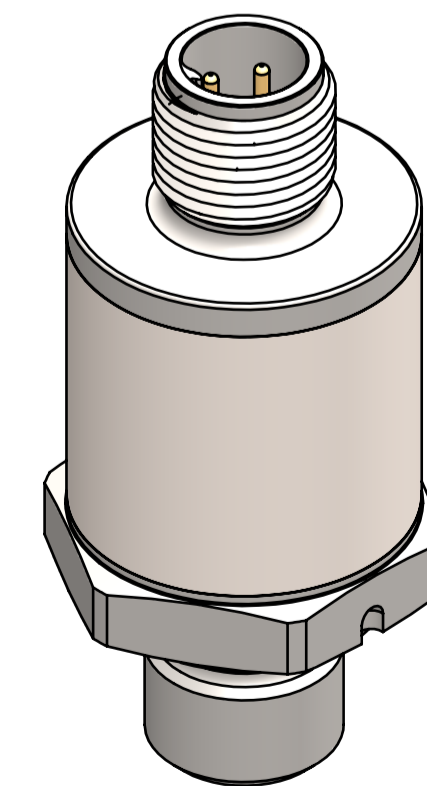
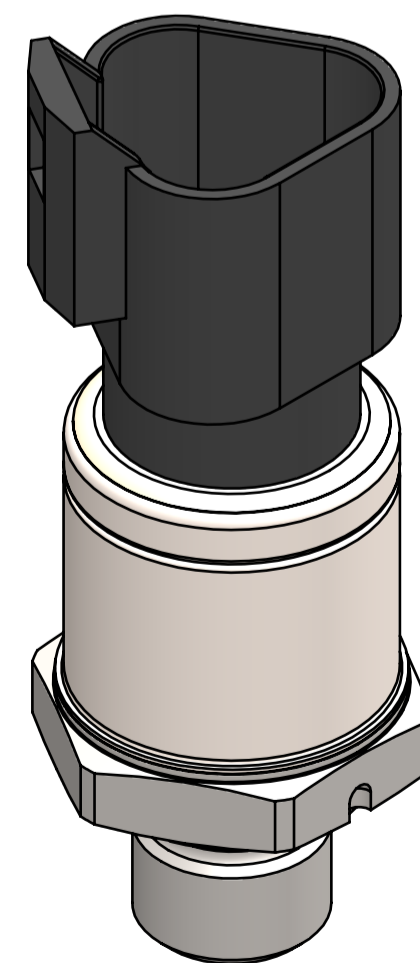
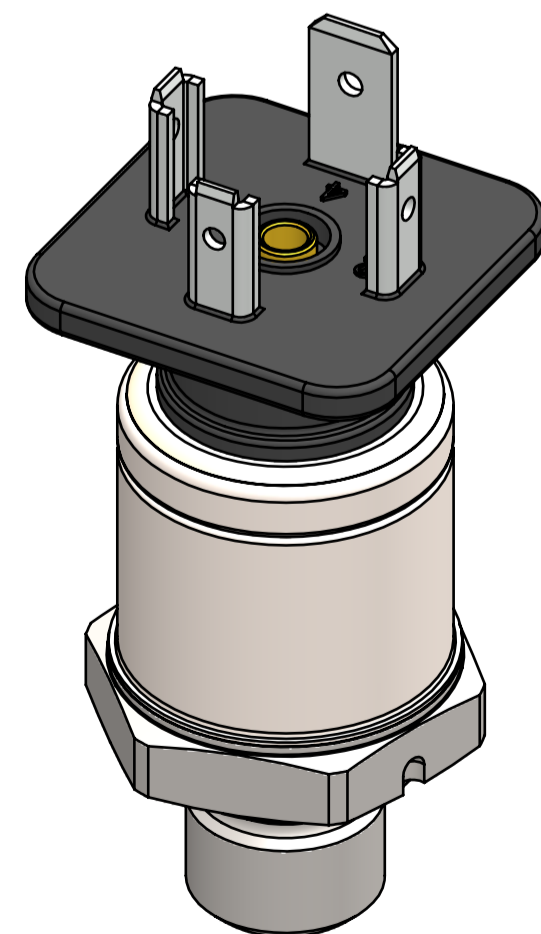
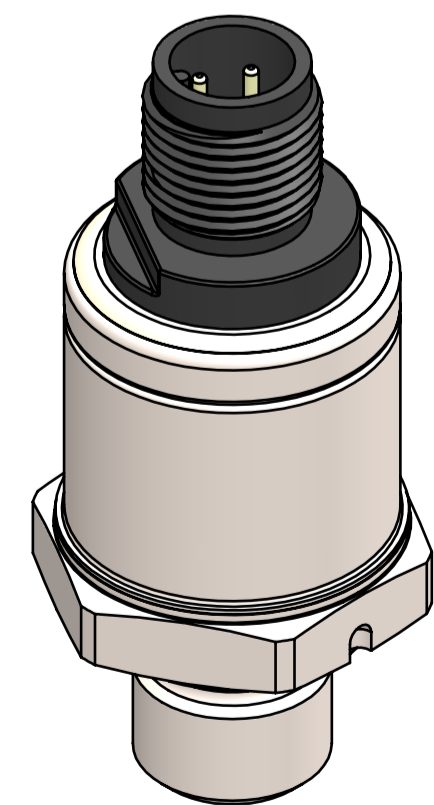
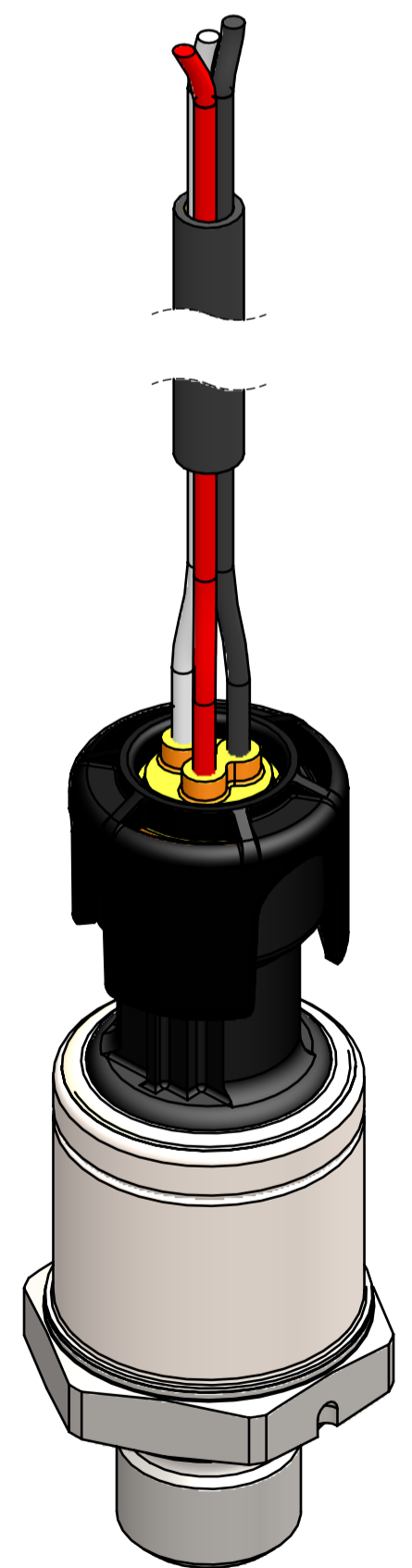
MATING CONNECTOR AND SNUBBER
N.....NONE
M.....MATING CONNECTOR, NO SNUBBER
MATING CONNECTOR ONLY FOR DIN 175301-803A
S.....NO MATING CONNECTOR, SNUBBER
SNUBBER WITH Ø0.5mm DAMPING HOLE
A.....MATING CONNECTOR, SNUBBER
MATING CONNECTOR ONLY FOR DIN 175301-803A
SNUBBER WITH Ø0.5mm DAMPING HOLE

PRESSURE TYPE
S.....SEAL GAUGE, WHEN GTMS PACKAGE
(WHEN GTMS CONNECTOR H)
B.....NON SEAL GAUGE

PRESSURE RANGE
010.....0...10bar
016.....0...16bar
025.....0...25bar
040.....0...40bar
050.....0...50bar
060.....0...60bar
100.....0...100bar
160.....0...160bar
200.....0...200bar
250.....0...250bar
350.....0...350bar
400.....0...400bar
500.....0...500bar
600.....0...600bar

OUTPUT/INPUT
A.....4-20 mA/8-32VDC
B..... 0.5-4.5VDC/5±0.25VDC
C.....0-5VDC/8-32VDC
D.....0-10 VDC/12-32VDC
E..... 1-5VDC/8-32VDC
F..... 0.5-4.5VDC/8-32VDC

EXTERNAL SEAL RING
NONE.....0
FKM (VITON) SEAL RING.....1
ONLY FOR PRESSURE PORT
OPTION A
HNBR SEAL RING.....2
ONLY FOR PRESSURE PORT
OPTION C



**FLY LEAD HARNESS
MODEL SHOWN**

**METRI-PACK 150
MODEL SHOWN**

**M12X1 4-POLE
MODEL SHOWN**

**DIN 175301-803A
MODEL SHOWN**

**DEUTSCH DT04-3P
MODEL SHOWN**

**GTMS CONNECTOR
M12X1-4P MODEL SHOWN**

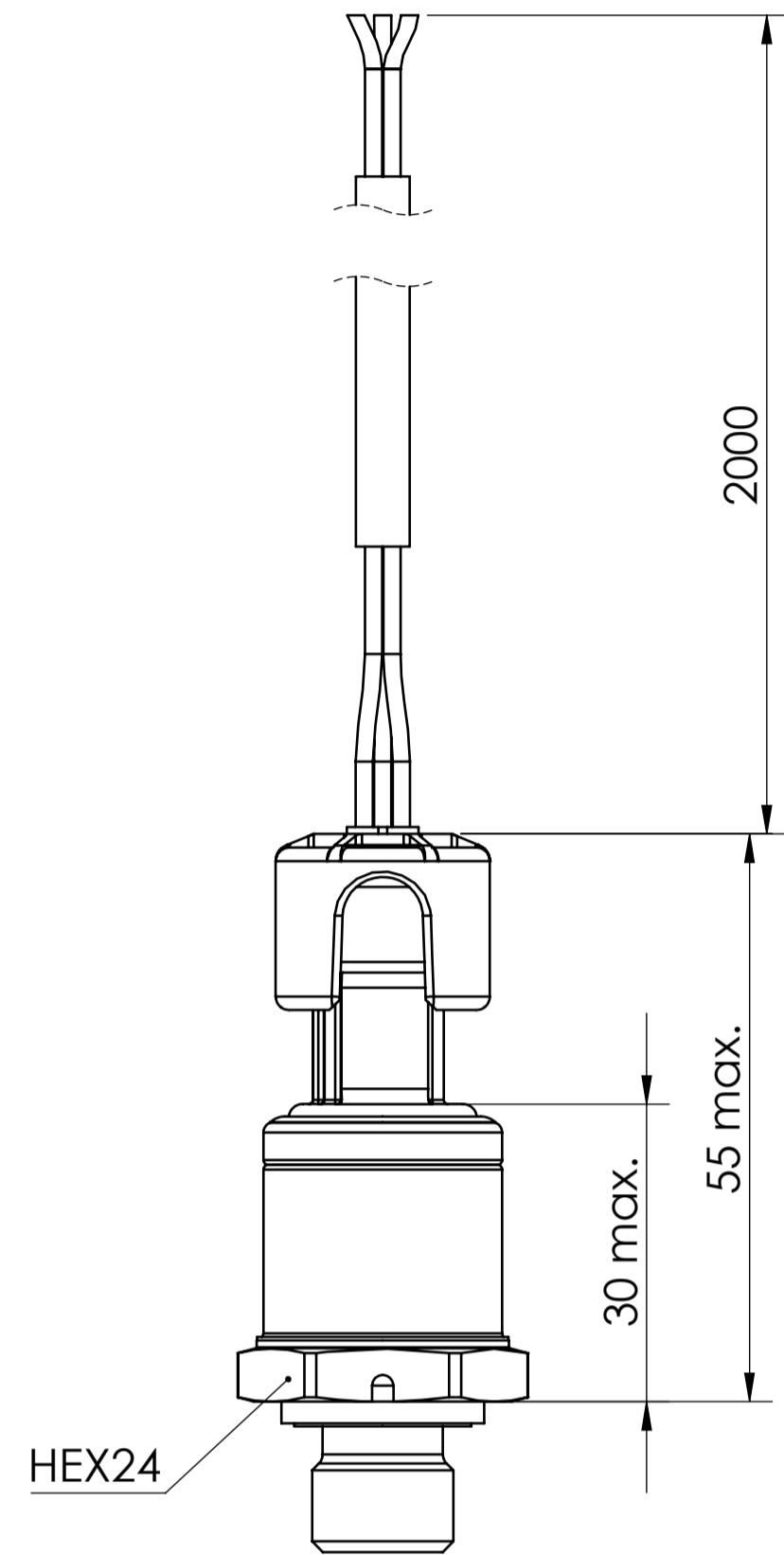
Pressure range		bar	10	16	25	40	50	60	100	160	200	250	350	400	500	600	...	
from 0 to ...	bar	10	16	25	40	50	60	100	160	200	250	350	400	500	600	...		
Proof pressure	bar	60	60	60	200	200	200	200	500	500	500	800	800	1200	1200	...		
Burst pressure	bar	200	200	200	2000	2000	2000	2000	2500	2500	2500	4000	4000	4000	4000	...		
Electrical		Output signal		0~10 VDC			0.5~4.5 VDC			4~20mA			0~5/1~5/0.5~4.5 VDC			...		
Operating supply voltage		12...32 VDC			5±0.25 VDC			8...32 VDC			8...32 VDC			...				
Overvoltage protection		min. 36 VDC			Not Applicable			min. 36 VDC			min. 36 VDC			...				
Short-circuit proofness*		YES			YES			Not Applicable			YES			...				
Reverse polarity protection*		YES			YES			YES			YES			...				
Load		≥ 4.7 kΩ			≥ 4.7 kΩ			≤ (Vs-8VDC)/(20mA)			≥ 4.7 kΩ			...				
*Short spec		for min. 1 minute																
*Reverse spec		for min. 10 seconds on assigned pins																
Response time		< 2ms																
Temperature		Operating		-40°C to +100°C														
Medium		-40°C to +125°C																
Storage*		-40°C to +125°C																
* Storage temperature spec		PVC flying lead are rated for storage temperature range of -40°C to +105°C																
Accuracy		Basic Accuracy*		± 0.5% FS @ 25°C														
BFSL Accuracy*		± 0.25% FS @ 25°C																
Non-linearity*		± 0.2% FS																
Non-repeatability		± 0.1% FS																
Total error band		± 1.5% FS @ -20°C to 85°C																
*Basic Accuracy		Including non-linearity, hysteresis, zero and span error (corresponds to measured error per IEC 61298-2).																
*BFSL Accuracy		Including non-linearity, hysteresis and non-repeatability, excluding zero and span error (corresponds to the smart options per IEC 60770-1, the instrument is equipped with facilities for offset and span adjustment).																
*Non-linearity spec		BFSL (best-fit-straight-line) according to IEC 61298-2																
Conformity		RoHS & REACH		YES														
UKCA		UK Pressure Equipment Safety Regulation(PESR)2016																
CE		According to EMC Directive 2014/30/EU, EN 61326 Emission and Immunity (industrial locations)																
Radiated Immunity		100V/m @ 80...200MHz; 200V/m @ 200...2700MHz, according to ISO 11452-2																
Vibration resistance		30g (sine) min. according to IEC 60068-2-6																
Shock resistance		500g min. according to IEC 60068-2-27, except fly lead with harness																
Durability		> 10 X 10 ⁶ cycles																
Ingress protection per IEC 60 529		FLY LEAD HARNESS		METRI-PACK 150		M12x1 4-POLE		DIN 175301 - 803A		DEUTSCH DT04-3P		GTMS CONNECTOR						
		IP67		IP67		IP67		IP65		IP67		IP69						
Media compatibility		All class II fluid and gases compatible with port material stainless steel 17-4PH (1.4542)																
Note 1):		THE SENSOR CONFIGURATION WITH M12X1 GTMS CONNECTOR (GLASS TO METAL SEAL) IS A SEALED GAGE (SG) PRESSURE MEASUREMENT;																
Note 2):		THE SENSOR CONFIGURATION WILL USE VENTED CONNECTORS WHEN THE SENSOR PRESSURE RANGE IS ≤40BAR, EXCEPT IN CASE OF THE GTMS CONNECTOR. SEE SHEET 2																

ALL RIGHT RESERVED		NEITHER THIS PRINT NOR THE INFORMATION CONTAINED HEREON IS TO BE USED AGAINST THE INTERESTS OF SENSATA TECHNOLOGIES OR AGAINST THE INTERESTS OF ANY OF ITS AFFILIATED COMPANIES OR WHOLLY OWNED SUBSIDIARIES.				18 CHUANGXIN ROAD XINBEI DISTRICT CHANGZHOU CHINA	
DRAWN	W. XU	INTERPRET DIMENSIONING AND TOLERANCING PER ASME Y14.5-2009, UNLESS OTHERWISE SPECIFIED DIMENSIONS ARE IN MILLIMETERS.		TITLE		PRESSURE TRANSDUCER	
DATE	22-APR-2022			SIZE		NUMBER	
ENGINEER	W. XU	TOLERANCES		A1		PTE7100-TAB-ENV	
DATE	22-APR-2022	LINEAR		REV		H	
APPROVED	CX.HU	ANGULAR		SCALE		2:1	
DATE	22-APR-2022	METHOD		SHEET		1 OF 3	
APPROVED		DO NOT SCALE DRAWING		METHOD			
DATE		SURFACE PROTECTION					

BUILT IN ELECTRICAL CONNECTOR OPTIONS

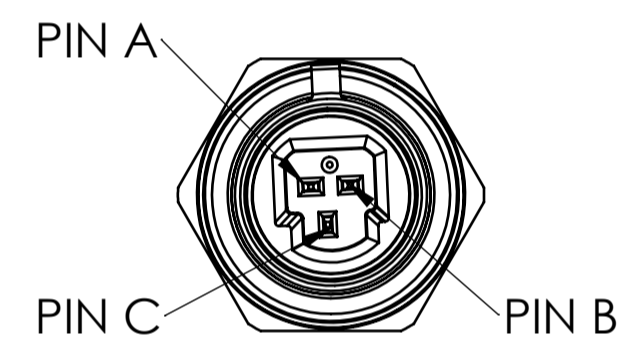
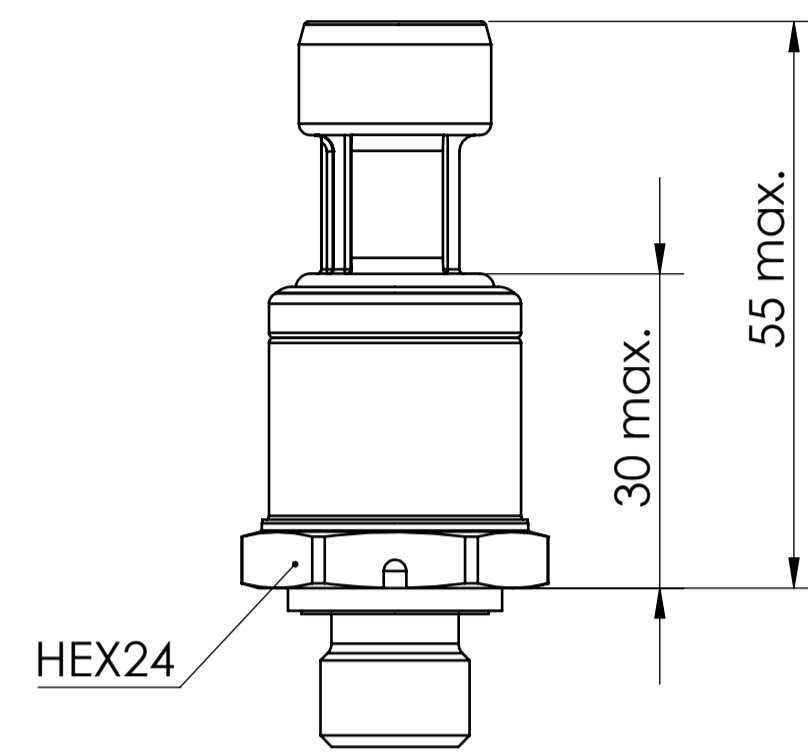
(PRESSURE PORT G1/4A DIN 3852-E SHOWN)

FLY LEAD HARNESS (2m) CONNECTOR



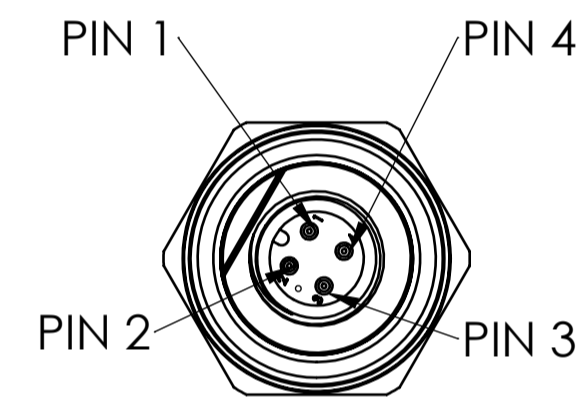
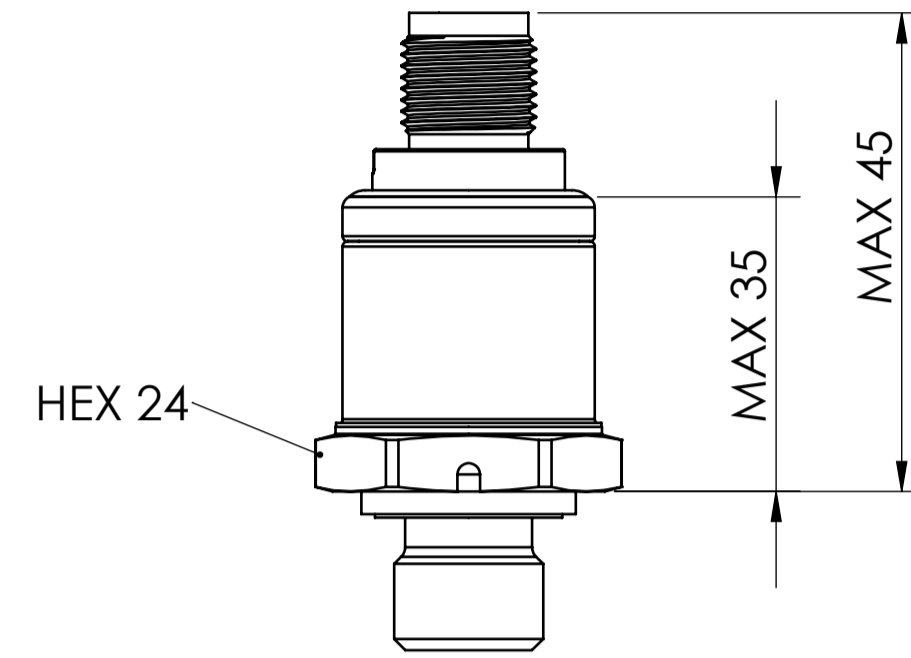
OUTPUT	BLACK	RED	WHITE
VOLTAGE	V-	V+	Vout
CURRENT	lout	V+	...

PACKARD METRI-PACK 150 CONNECTOR



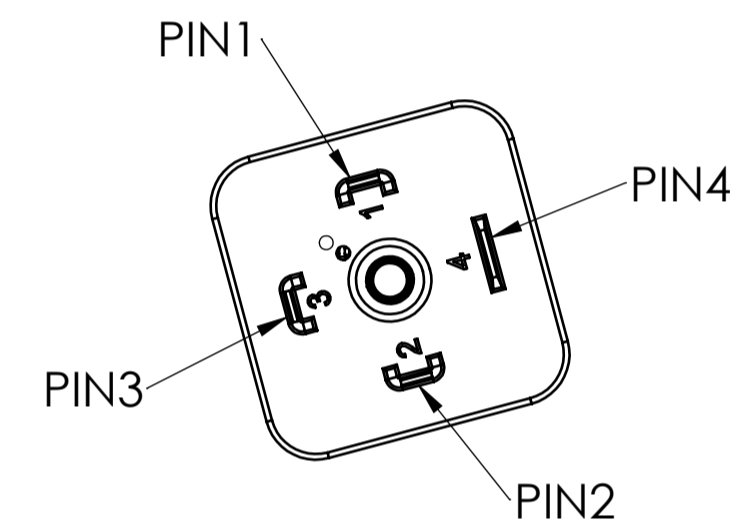
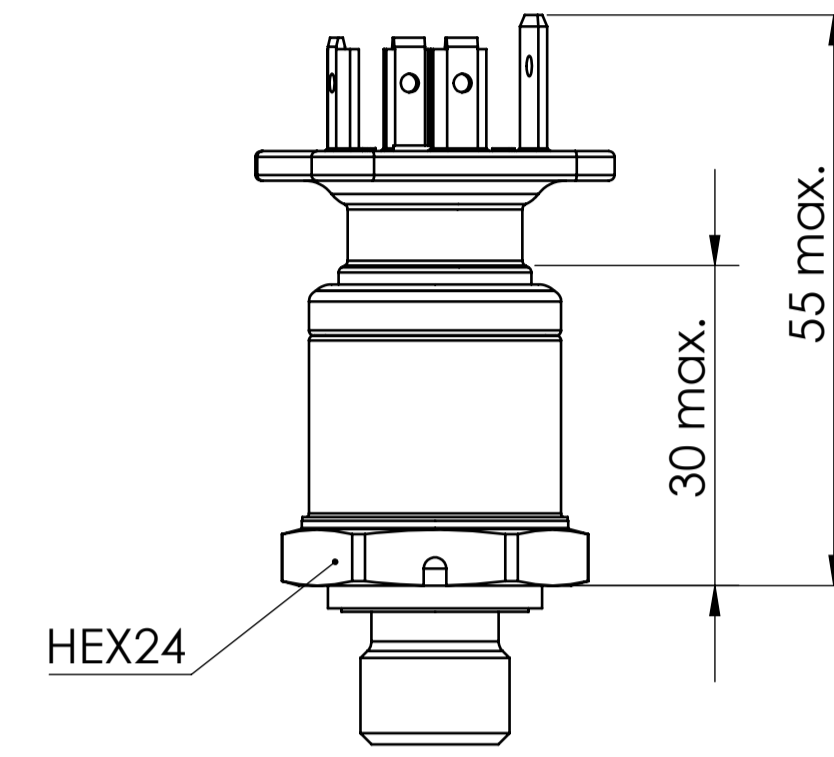
OUTPUT	PIN A	PIN B	PIN C
VOLTAGE	V-	V+	Vout
CURRENT	lout	V+	...

M12x1-4POLE CONNECTOR



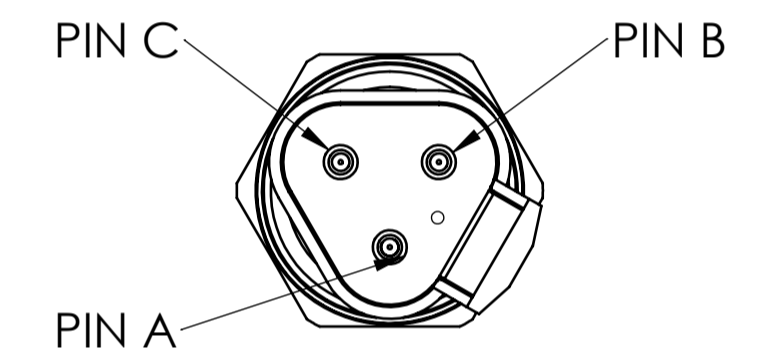
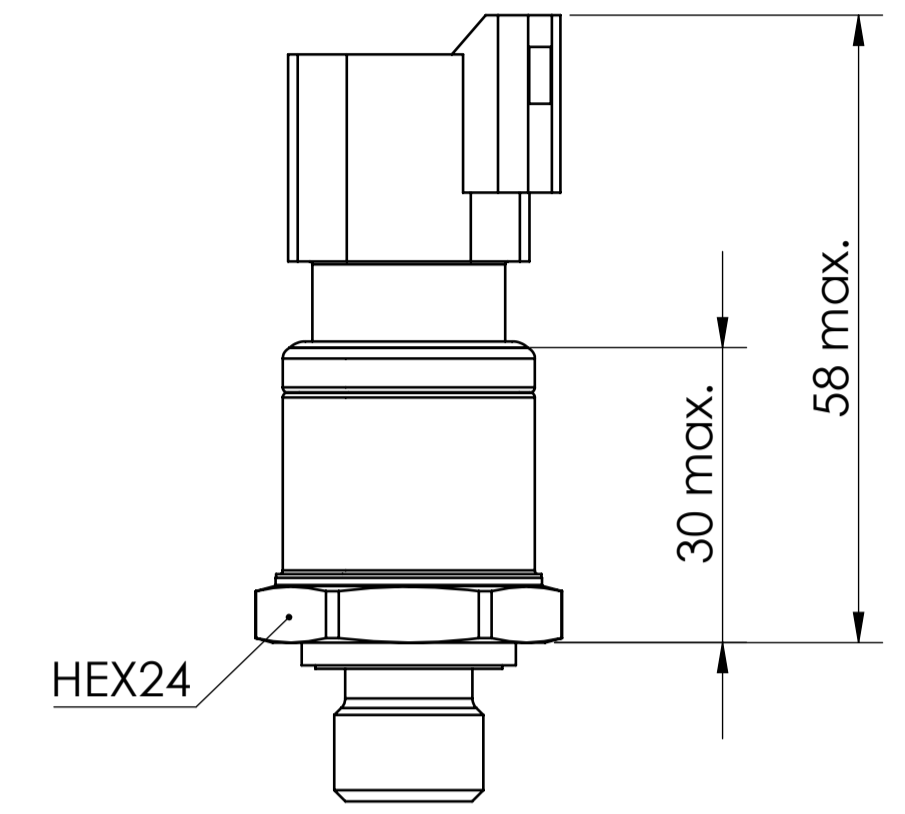
OUTPUT	PIN 1	PIN 2	PIN 3	PIN 4
VOLTAGE	V+	...	V-	Vout
CURRENT	V+	...	lout	...

DIN 175301-803A 18mm CONNECTOR



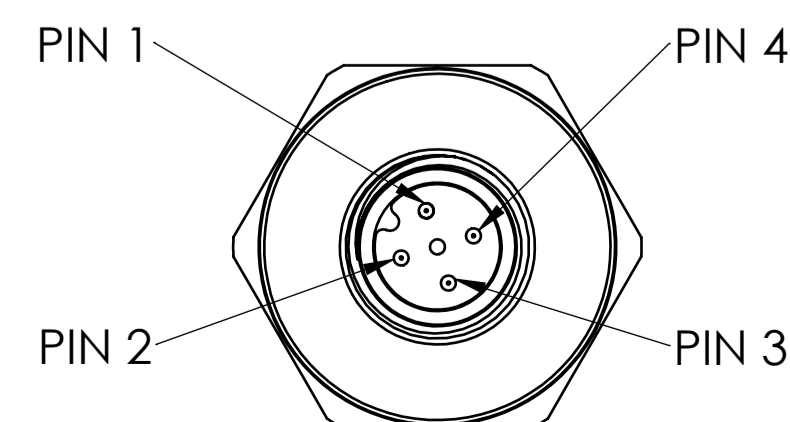
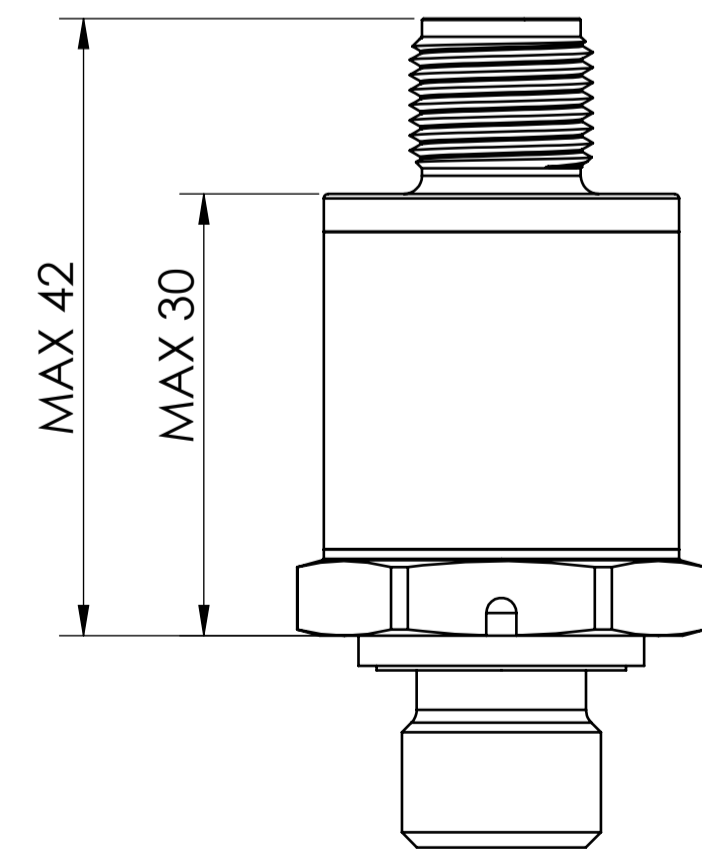
OUTPUT	PIN 1	PIN 2	PIN 3	PIN 4
VOLTAGE	V+	V-	Vout	...
CURRENT	V+	lout

DEUTSCH DT04-3P CONNECTOR



OUTPUT	PIN A	PIN B	PIN C
VOLTAGE	V+	V-	Vout
CURRENT	V+	lout	...

GTMS CONNECTOR 4POLE M12x1 CONNECTOR



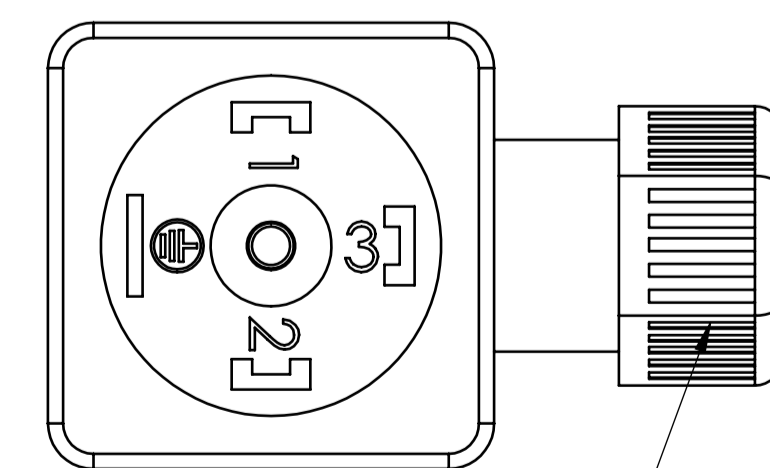
OUTPUT	PIN 1	PIN 2	PIN 3	PIN 4
VOLTAGE	V+	...	V-	Vout
CURRENT	V+	...	lout	...

NOTE:
 V+: Supply Voltage V-: Ground
 Vout: Output Voltage lout: Output Current
 ... : Not Connected

MATING CONNECTOR OPTIONS

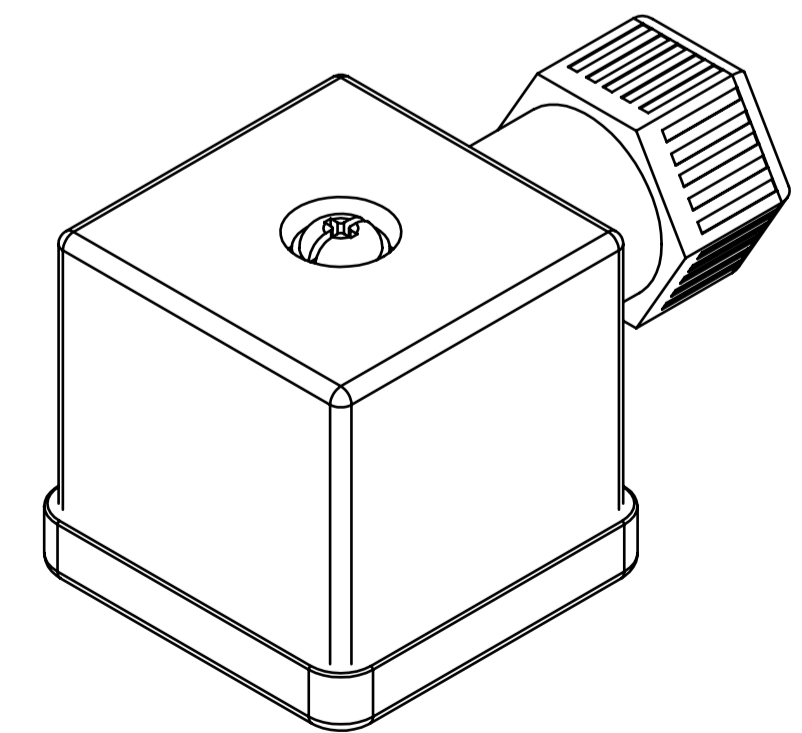
(ONLY DIN 175301-803A 18mm AVAILABLE)

DIN 175301-803A 18mm MATING CONNECTOR



PG9 FOR CABLE ϕ 4.5-7mm

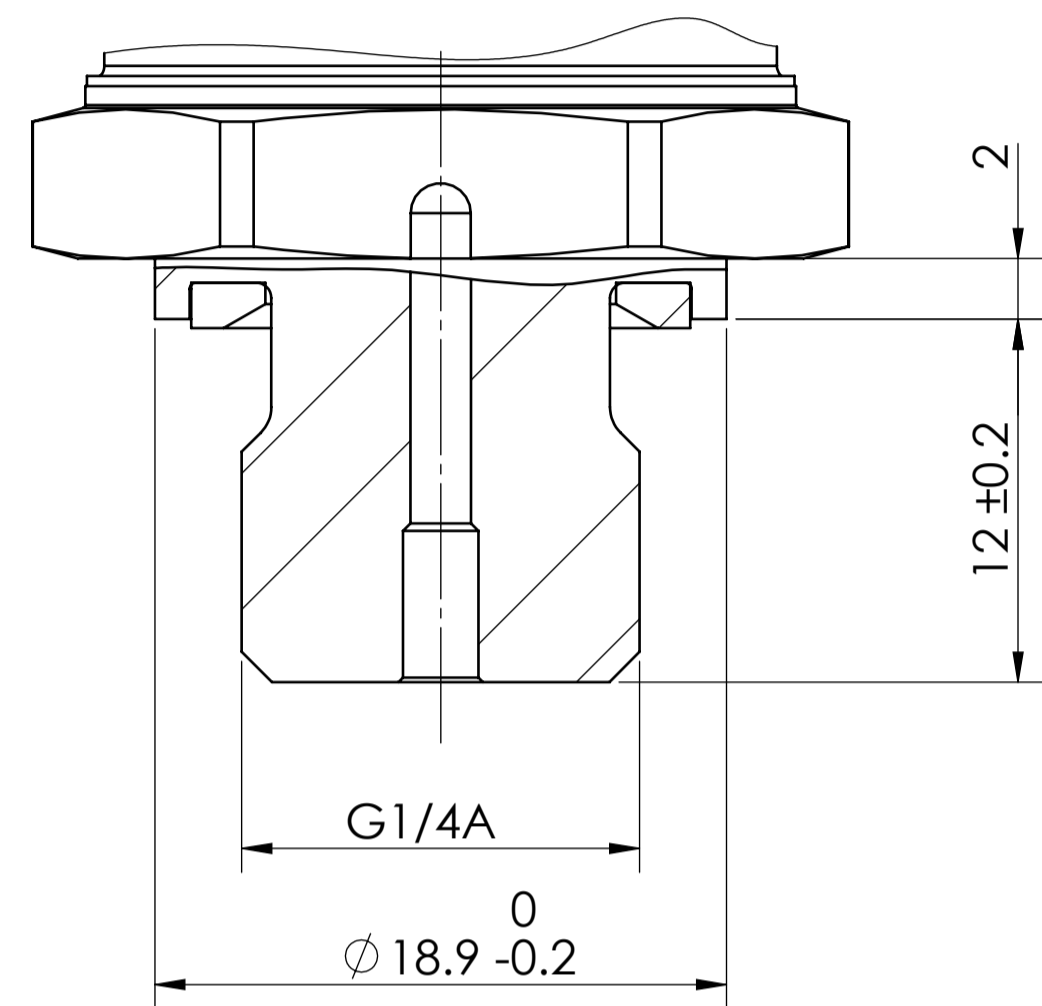
MATING CONNECTOR ASSEMBLY



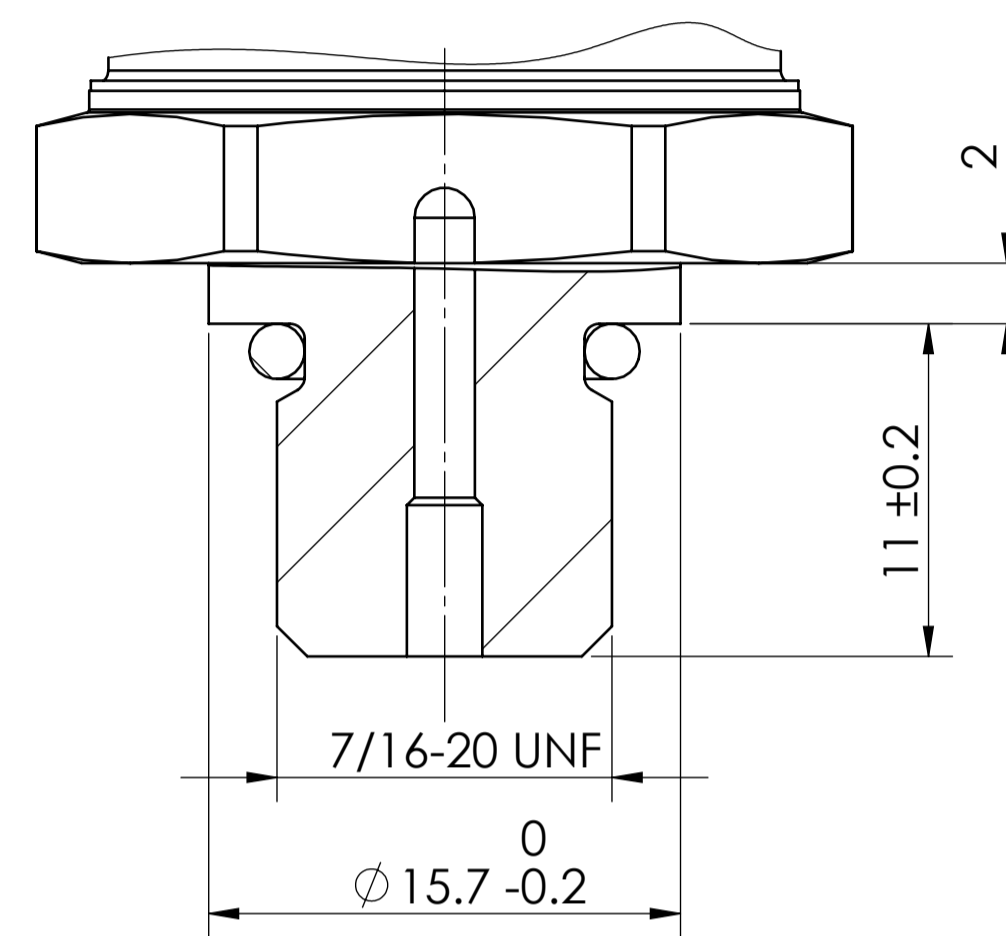
PRESSURE CONNECTION PORT OPTIONS

SNUBBER OPTIONS (PRESSURE PORT G1/4A DIN 3852-E SHOWN)

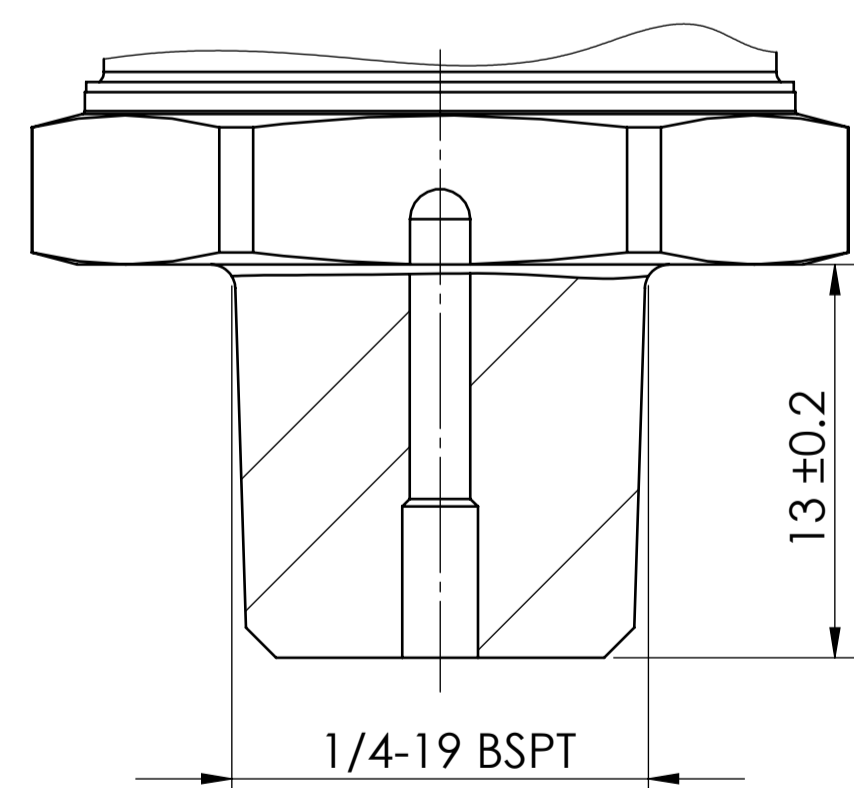
G1/4A (MALE) DIN 3852-E



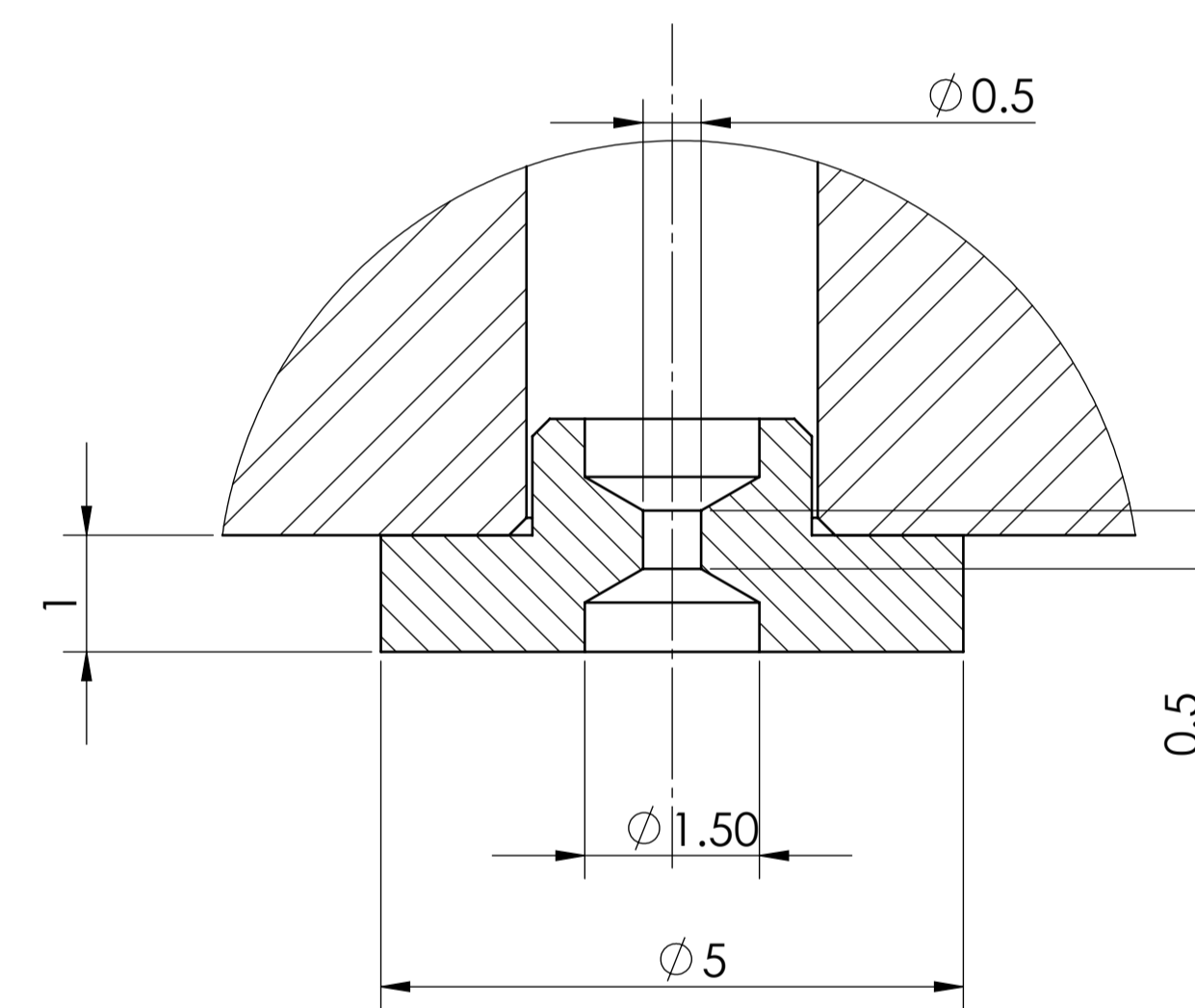
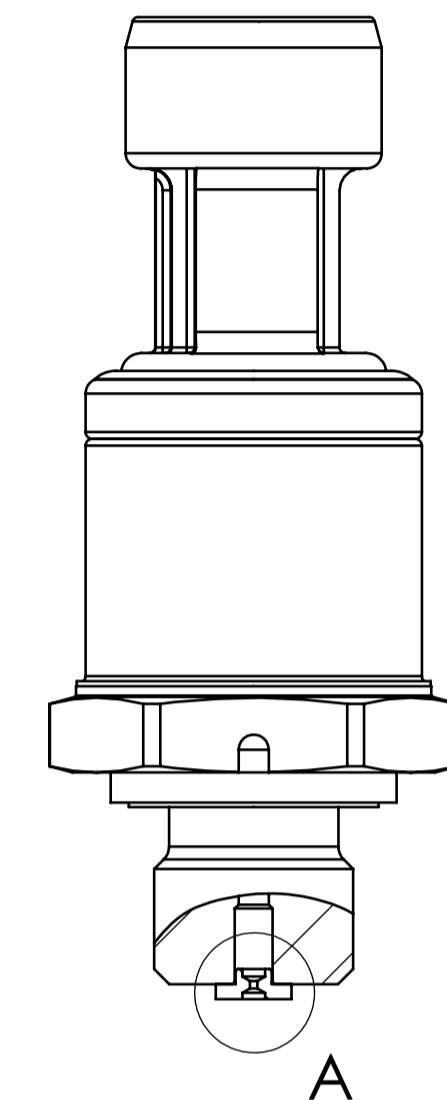
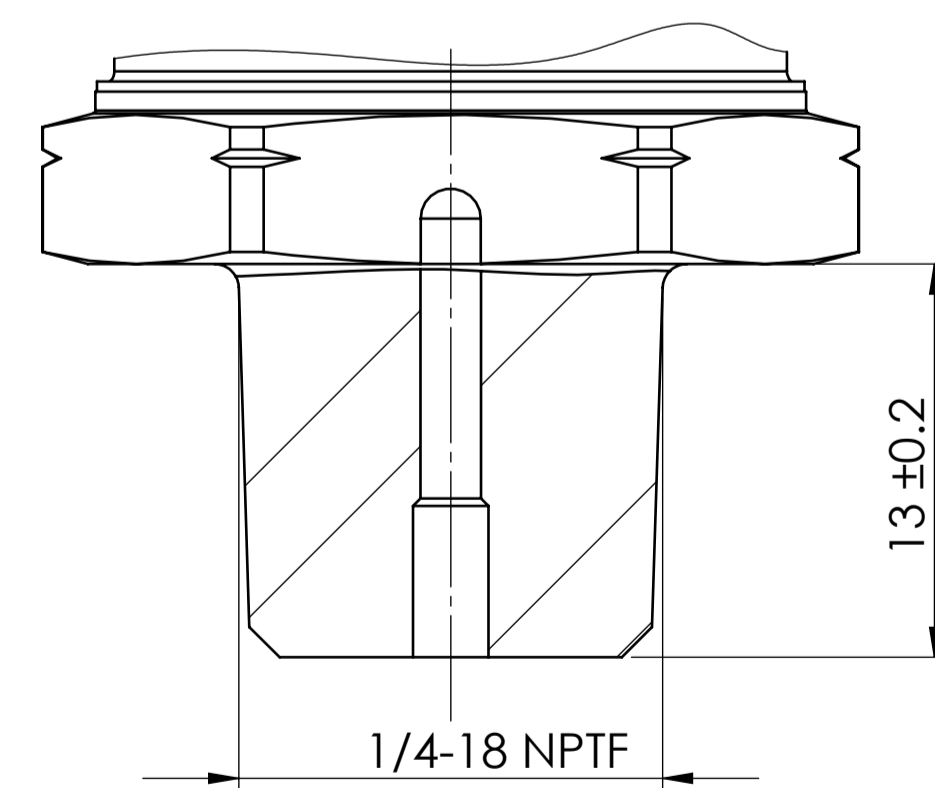
7/16-20 UNF J1926-3



1/4-19 PT (BSPT)(R1/4)



1/4-18 NPT



DETAIL A
SCALE 16:1

NOTE:

1. CUSTOMER SHOULD VERIFY IF THE SNUBBER CAN FIT IN THEIR APPLICATION/COUNTERPART.