

SLP SUSPENDED LEVEL PROBE



The SLP is a single switch level probe, for use in water or aqueous liquids, designed to be suspended into the liquid by its cable. It can be configured to give make or break action on either rise or fall of liquid level, by removing the protective shield and reversing the float orientation.

The switching level may be adjusted by varying the cable length. The reed switch contact is suitable for switching signal levels, up to 250* volts.

The main uses for this probe are in level indication for narrow boreholes, or applications with restricted space, and also as a signal switch for reservoir high or low level monitoring.

These are manufactured with standard PVC cable of 15 metre length but can be manufactured with other cable lengths.

Other switch types and configurations, cable gland and cable types are possible. Please contact Sensata with your requirements.

Features

- Submersible probe
- Low space requirement
- Cable mounted
- N/O or N/C configurable
- No power requirement

SPECIFICATIONS

Technical

Float	Polypropylene
Housing	Stainless Steel
Shield	Stainless Steel
Cable Gland	Nylon
Cable	2 core PVC sheathed
Cable Length	15M / 25M
Temperature Range	°C 0/+55
	°F +32/+131
Min. Fluid S.G.	0.8
Max Working Pressure	5 bar

Electrical

Contact Form	SPNO
Switching Power Max. VA	25
Switching Voltage AC/DC Max.	250*
Switching Current Max. A	0.6

* Switching Voltage AC/DC Max. may be subject to restriction by regulation, dependent on application and region of use.

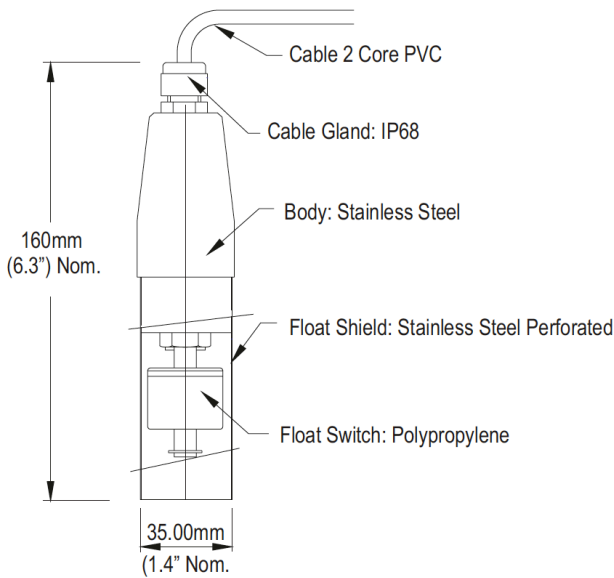
All electrical ratings are for resistive loads only.

STANDARD PARTS

	Float Material	Cable Type	Cable Length
SLP4AP15	Polypropylene	PVC sheathed	15 metres
SLP4AP25	Polypropylene	PVC sheathed	25 metres
SLP4AP30	Polypropylene	PVC sheathed	30 metres
SLP4AP35	Polypropylene	PVC sheathed	35 metres
SLP4AP40	Polypropylene	PVC sheathed	40 metres
SLP4AP5	Polypropylene	PVC sheathed	5 metres
SLP4AP50	Polypropylene	PVC sheathed	50 metres

DIMENSIONS

All dimensions are in millimeters.



Datasheets provided by Sensata Technologies, Inc., its subsidiaries and/or affiliates ("Sensata") are solely intended to assist third parties ("Buyers") who are developing systems that incorporate Sensata products (also referred to herein as "components"). Buyer understands and agrees that Buyer remains responsible for using its independent analysis, valuation, and judgment in designing Buyer's systems and products. Sensata datasheets have been created using standard laboratory conditions and engineering practices. Sensata has not conducted any testing other than that specifically described in the published documentation for a particular datasheet. Sensata may make corrections, enhancements, improvements, and other changes to its datasheets or components without notice. Buyers are authorized to use Sensata datasheets with the Sensata component(s) identified in each particular datasheet. HOWEVER, NO OTHER LICENSE, EXPRESS OR IMPLIED, BY ESTOPPEL OR OTHERWISE TO ANY OTHER SENSATA INTELLECTUAL PROPERTY RIGHT, AND NO LICENSE TO ANY THIRD PARTY TECHNOLOGY OR INTELLECTUAL PROPERTY RIGHT, IS GRANTED HEREIN. SENSATA DATASHEETS ARE PROVIDED "AS IS". SENSATA MAKES NO WARRANTIES OR REPRESENTATIONS WITH REGARD TO THE DATASHEETS OR USE OF THE DATASHEETS, EXPRESS, IMPLIED, OR STATUTORY, INCLUDING ACCURACY OR COMPLETENESS. SENSATA DISCLAIMS ANY WARRANTY OF TITLE AND ANY IMPLIED WARRANTIES OF MERCHANTABILITY, FITNESS FOR A PARTICULAR PURPOSE, QUIET ENJOYMENT, QUIET POSSESSION, AND NON-INFRINGEMENT OF ANY THIRD PARTY INTELLECTUAL PROPERTY RIGHTS WITH REGARD TO SENSATA DATASHEETS OR USE THEREOF.

All products are sold subject to Sensata's terms and conditions of sale supplied at www.sensata.com SENSATA ASSUMES NO LIABILITY FOR APPLICATIONS ASSISTANCE OR THE DESIGN OF BUYERS' PRODUCTS. BUYER ACKNOWLEDGES AND AGREES THAT IT IS SOLELY RESPONSIBLE FOR COMPLIANCE WITH ALL LEGAL, REGULATORY, AND SAFETY-RELATED REQUIREMENTS CONCERNING ITS PRODUCTS, AND ANY USE OF SENSATA COMPONENTS IN ITS APPLICATIONS, NOTWITHSTANDING ANY APPLICATIONS-RELATED INFORMATION OR SUPPORT THAT MAY BE PROVIDED BY SENSATA.

Mailing Address: Sensata Technologies, Inc., 529 Pleasant Street, Attleboro, MA 02703, USA.

CONTACT US

Sensata Technologies
 Jan Tinbergenstraat 80
 7559 SP Hengelo
 The Netherlands
 1-508-236-3800
 +44 (0)1202 897969
cynergy3.enquiries@sensata.com