



| HAS SERIES

DC DISCONNECT SWITCHES FOR SOLAR & ESS APPLICATIONS



Features

- Rated voltage: 450VDC
- Rated current: 15A
- Relay voltage trip
- Certification: GB 14048.3 DC-21A
- Design to IEC 60947-3

● SPECIFICATIONS

Series name	HAS
Circuit type	Switch type / Relay type*
Poles	2 poles
Rated voltage and current	450VDC 15A**
Standard ambient temperature	+25°C
Operating ambient temperature	-30°C~+85°C (but freezing must be avoided)
Allowable relative humidity	45%~85%
Insulation resistance	At least 100MΩ with DC500V
Dielectric strength	AC50/60Hz 2000V 1min, leakage current less than 1mA
Vibration resistance	About 98m/s ² (about 10g) (MIL-STD-202 Method 201 at rated current)
Shock resistance	490m/s ² (about 50g) (MIL-STD-202 Method 213 Test Condition A at rated current)
Endurance	5000 cycles with rated current and rated voltage (resistive circuit) and 5000 cycles without electrical power; 2 cycles/min or 8500 cycles without electrical power and 1500 with rated current and rated voltage time constant 1ms. 2 cycles/min
Coil resistance	DC24V coil: 157Ω±25% at 25°C
Weight	About 30g/unit (switch type)

* Trip voltage of the relay type is DC24V. Consult factory for other voltage.

** Consult factory for any voltage and current requirement above rated value

Note: The polarity is specified, the LINE terminal is connected to the positive(+) of the power supply

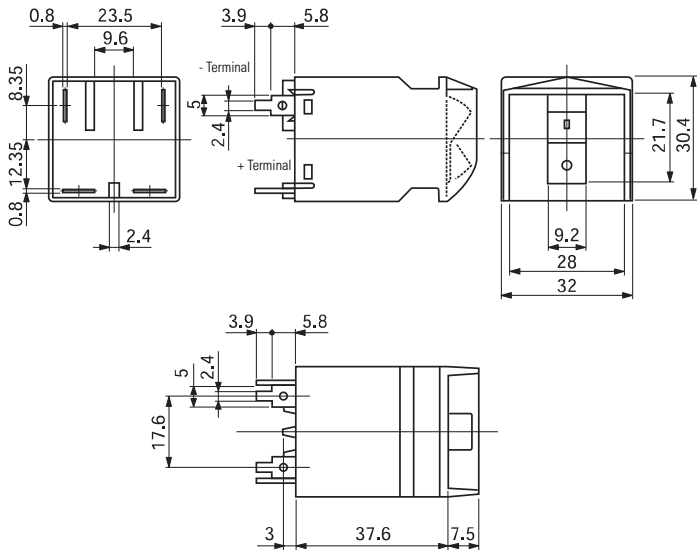
STANDARD CIRCUIT

Type	Circuit type	Circuit diagram	Remarks
0	Switch type		Not equipped with an overcurrent trip mechanism, so does not operate during overcurrent
4	Relay type		Relay type with insulated main contact and operating coil Voltage operating type has an instantaneous rating (voltage applied time is within 1s)

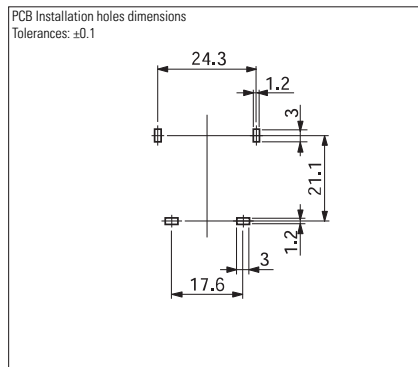
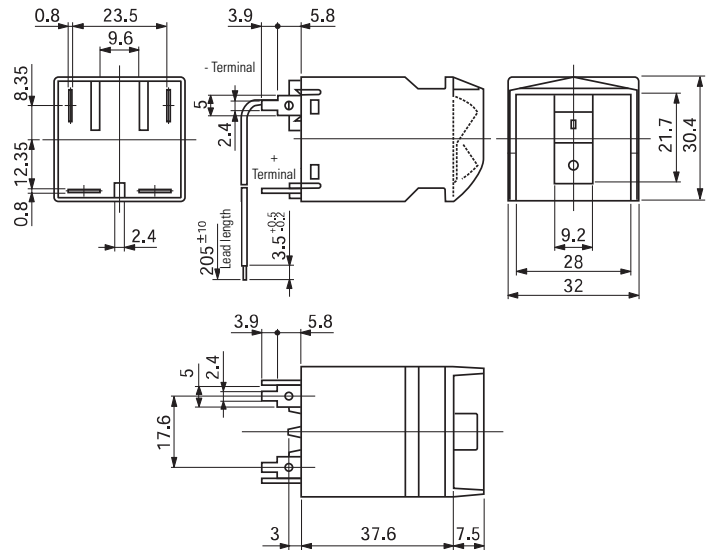
DIMENSIONS

All dimensions are in millimeters

<HAS-P-00>



<HAS-P-40>



ORDERING OPTIONS

	HAS	P	40	SP	DC24V
Series	HAS - P - 40 - SP - DC24V				
HAS					
Terminal type					
For PCB					
Circuit type					
0: Switch type 4: Relay type					
Tripping characteristics					
SP: Special Only relay type					
Tripping voltage					
DC24V Only relay type					

WARNINGS



RISK OF MATERIAL DAMAGE AND HOT ENCLOSURE

- The product's side panels may be hot, allow the product to cool before touching
- Follow proper mounting instructions including torque values
- Do not allow liquids or foreign objects to enter this product

Failure to follow these instructions can result in serious injury, or equipment damage.



HAZARD OF ELECTRIC SHOCK, EXPLOSION OR ARC FLASH

- Disconnect all power before installing or working with this equipment
- Verify all connections and replace all covers before turning on power

Failure to follow these instructions can result in death or serious injury.

Datasheets provided by Sensata Technologies, Inc., its subsidiaries and/or affiliates ("Sensata") are solely intended to assist third parties ("Buyers") who are developing systems that incorporate Sensata products (also referred to herein as "components"). Buyer understands and agrees that Buyer remains responsible for using its independent analysis, valuation, and judgment in designing Buyer's systems and products. Sensata datasheets have been created using standard laboratory conditions and engineering practices. Sensata has not conducted any testing other than that specifically described in the published documentation for a particular datasheet. Sensata may make corrections, enhancements, improvements, and other changes to its datasheets or components without notice.

Buyers are authorized to use Sensata datasheets with the Sensata component(s) identified in each particular datasheet. HOWEVER, NO OTHER LICENSE, EXPRESS OR IMPLIED, BY ESTOPPEL OR OTHERWISE TO ANY OTHER SENSATA INTELLECTUAL PROPERTY RIGHT, AND NO LICENSE TO ANY THIRD PARTY TECHNOLOGY OR INTELLECTUAL PROPERTY RIGHT, IS GRANTED HEREIN. SENSATA DATASHEETS ARE PROVIDED "AS IS". SENSATA MAKES NO WARRANTIES OR REPRESENTATIONS WITH REGARD TO THE DATASHEETS OR USE OF THE DATASHEETS, EXPRESS, IMPLIED, OR STATUTORY, INCLUDING ACCURACY OR COMPLETENESS. SENSATA DISCLAIMS ANY WARRANTY OF TITLE AND ANY IMPLIED WARRANTIES OF MERCHANTABILITY, FITNESS FOR A PARTICULAR PURPOSE, QUIET ENJOYMENT, QUIET POSSESSION, AND NON-INFRINGEMENT OF ANY THIRD PARTY INTELLECTUAL PROPERTY RIGHTS WITH REGARD TO SENSATA DATASHEETS OR USE THEREOF.

All products are sold subject to Sensata's terms and conditions of sale supplied at www.sensata.com. SENSATA ASSUMES NO LIABILITY FOR APPLICATIONS ASSISTANCE OR THE DESIGN OF BUYERS' PRODUCTS. BUYER ACKNOWLEDGES AND AGREES THAT IT IS SOLELY RESPONSIBLE FOR COMPLIANCE WITH ALL LEGAL, REGULATORY, AND SAFETY-RELATED REQUIREMENTS CONCERNING ITS PRODUCTS, AND ANY USE OF SENSATA COMPONENTS IN ITS APPLICATIONS, NOTWITHSTANDING ANY APPLICATIONS-RELATED INFORMATION OR SUPPORT THAT MAY BE PROVIDED BY SENSATA.

Mailing Address: Sensata Technologies, Inc., 529 Pleasant Street, Attleboro, MA 02703, USA

CONTACT US

Regional head offices:

United States of America

Sensata Technologies

Attleboro, MA

Phone: 508-236-3800

E-mail: support@sensata.com

Netherlands

Sensata Technologies Holland B.V.

Hengelo

Phone: +31 74 357 8000

E-mail: support@sensata.com

China

Sensata Technologies China Co., Ltd.

Shanghai

Phone: +8621 2306 1500

E-mail: support@sensata.com