

Z5 Transparent Cargo Box



Perceive cargo volume in real-time using AI cameras and high-precision sensors.
multi-carrier LTE cellular connectivity, GPS, Wi-Fi, and Bluetooth.

One-Wire bus included to integrate with trailer or container sensors and systems.

Z5 Transparent Cargo Box

The Z5 transparent cargo box revolutionizes the transportation of trailers by leveraging high-definition video technology and AI-powered intelligent equipment asset services. Leveraging big data and AI deep learning algorithms, the Z5 transparent cargo box offers real-time perception of cargo volume, ensuring constant awareness of loading rates. Equipped with AI cameras and high-precision sensors, it achieves full visibility of the transportation status of goods within the cargo box, while intelligently managing and controlling the loading process and progress.

APPLICATIONS



Cargo security protection
Protect high-value cargo from theft.



More comprehensive scalability,
supporting Bluetooth, RS232,
CAN BUS and more peripherals



Cargo box management

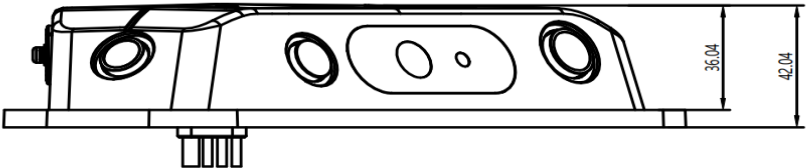
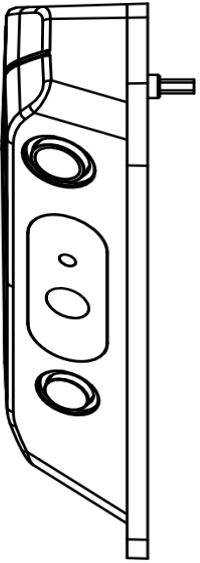
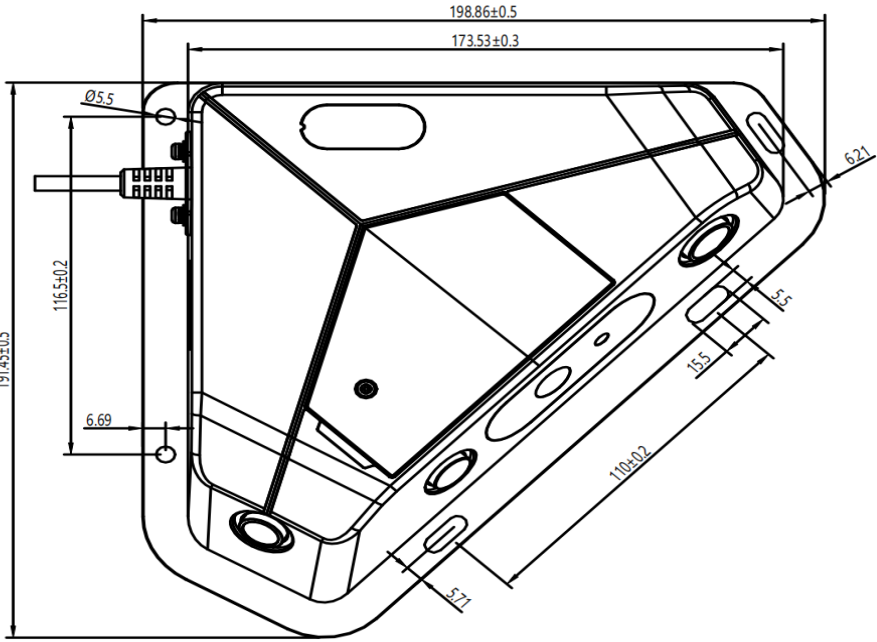
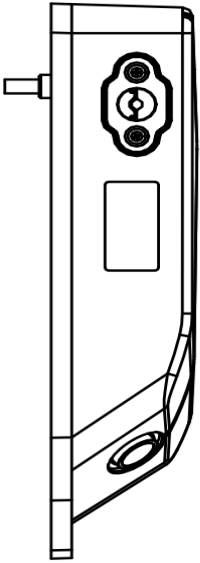
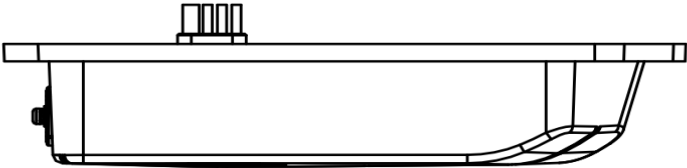


Reduce empty miles

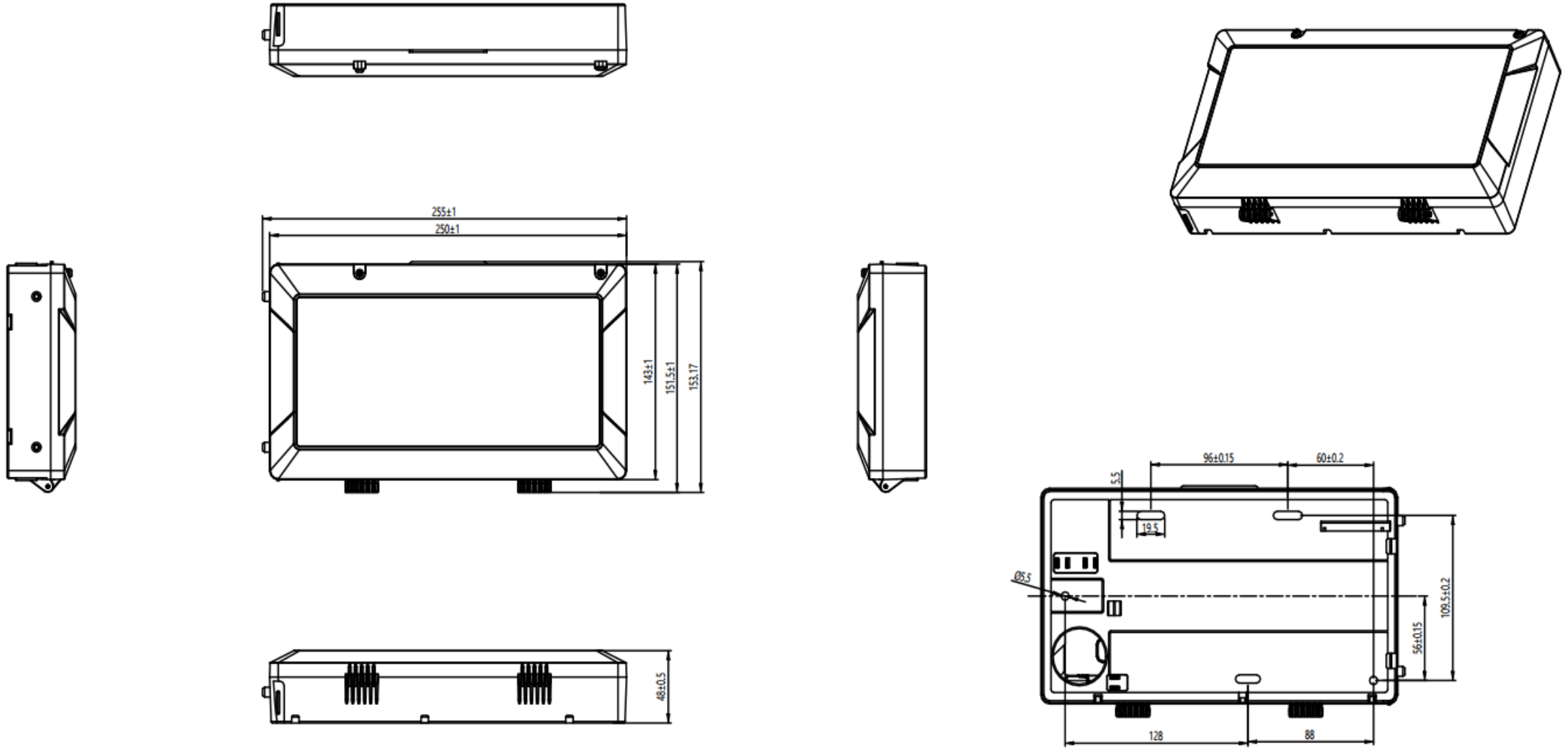
FEATURE LIST

- Dual camera, 1 channel of black light 4K image for inside the cargo box+1 channel of 1080P for outside the cargo box
- Support 1 x Micro SD card
- Support WIFI、 BT5.1
- Support Nano SIM card
- External solar panels and DC 12V charging
- External 10.4Ah/76Wh rechargeable battery
- External WI-FI antenna
- Certifications: FCC、 PTCRB、 IC、 GCF
- Support Six Axis Sensor

Z5 Size(millimeter)



Power box size(millimeter)



MECHANICAL

Dimensions	7.83' ' x7.54' ' x1.65' ' (19.89 x 19.15 x 4.20 cm)
Weight Of Z5	0.96 lbs.(434gkg)
Case Material	Aluminum Alloy
IP Rating Of Z5	IP69K

ENVIRONMENTAL

Operating Temperature	-40°F to 158°F(-40°C~+70°C)
Operating Humidity	8%-95%

Record

Video compression format	H.264/H.265
Record Mode	Power on/manual/timed/alarm event recording
Alarm pre recording	0-60min
Alarm recording delay	0-30min
Audio	NO

Communications

WIFI	2.4G 802.11a/b/g/n/ac
3G/4G	North American Version LTE FDD: B2/B4/B5/B12/B13/B14/B66/B71 WCDMA: B2/B4/B5 European and Asian versions LTE FDD: B1/B3/B7/B8/B20/B28A WCDMA: B1/B8 GSM: B3/B8 Latin American version LTE FDD: B1/ B2/B3/B4/B5/B7/B8/B28 LTE TDD: B40 WCDMA: B1/B2/B5/B8 GSM: B2/B3/B5/B8 China LTE-FDD: B1/B3/B5/B8 LTE-TDD: B34/B38/B39/B40/B41 WCDMA: B1/B5/B8

Power Requirement

DC Power	DC 9-36V
Solar panel power	3W
Battery	10.4Ah/76Wh
Maximum typical power consumption	9W
Sleep power consumption	≈0.6W

Locate

GPS	Locate, speed detection, time synchronization
------------	-----------------------------------------------

Interface

RS232	1 Channel
IO	2 IO IN, 2 IO OUT