

SSV66A000SM16

SIDE MOUNT, VERTICAL SWITCH - ON CENTRELINE



This switch is designed to give the switch level accuracy of a vertical switch, but without the need to mount the switch in the top of the tank. This can also avoid the need for a long vertical top mounted switch, as this switch can be mounted at the required level in the side of the tank.

The switch is configured to give a normally open switch action (with no liquid present) when the switch is positioned as shown in the dimensioned sketch below. The switch action can be reversed by rotating the mounting shaft by 180°.

Features

- Switch operates at level of mounting centreline
- 50 VA switching capacity
- 316 Stainless steel material
- Horizontal mounting and vertical float movement gives accurate level detection without needing a top mounting switch.
- Suitable for use at up to 10 bar pressure

SPECIFICATIONS

Technical

Mounting Style	Internal
Mounting Thread	M16x2
Float & Stem Material	316 grade SS
Maximum Temperature	120°C
Maximum Pressure	10 bar
Float SG	0.7
Minimum Fluid SG	0.8
Cable Length - Standard	100cm
Wire	17/0.10 - AWG22 Teflon insulated
Cable Conductor Material	Tinned copper
Cable Sheath Material	PVC
Cable Temperature Rating	125°C
Sealing Gasket	Nitrile
Tightening Torque for Fixing Nut	2.0kg/cm

Electrical

Contact Form		N/O (N/C)
Switching Power Max	VA	50
Switching Voltage AC Max	V	240
Switching Voltage DC Max	V	240
Switching Current Max	A	1.0

All ratings are for resistive load only.

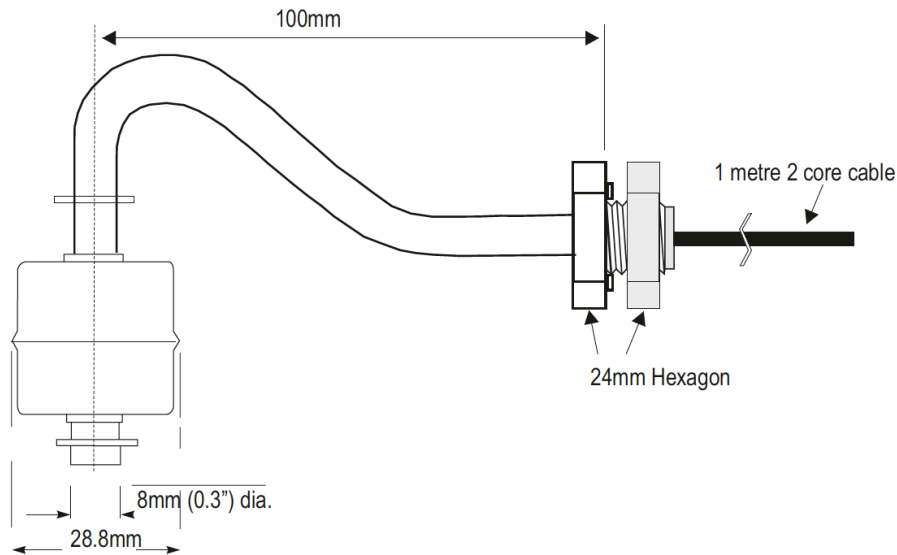
STANDARD PARTS

	Material	Max Power	Leadouts	Gasket
SSV66A000SM16	SS 316	50VA	2 core Teflon insulated	Nitrile

Custom versions can be made for particular applications. Please contact Sensata with your requirements.

DIMENSIONS

All dimensions are in millimeters.



Datasheets provided by Sensata Technologies, Inc., its subsidiaries and/or affiliates ("Sensata") are solely intended to assist third parties ("Buyers") who are developing systems that incorporate Sensata products (also referred to herein as "components"). Buyer understands and agrees that Buyer remains responsible for using its independent analysis, valuation, and judgment in designing Buyer's systems and products. Sensata datasheets have been created using standard laboratory conditions and engineering practices. Sensata has not conducted any testing other than that specifically described in the published documentation for a particular datasheet. Sensata may make corrections, enhancements, improvements, and other changes to its datasheets or components without notice.

Buyers are authorized to use Sensata datasheets with the Sensata component(s) identified in each particular datasheet. HOWEVER, NO OTHER LICENSE, EXPRESS OR IMPLIED, BY ESTOPPEL OR OTHERWISE TO ANY OTHER SENSATA INTELLECTUAL PROPERTY RIGHT, AND NO LICENSE TO ANY THIRD PARTY TECHNOLOGY OR INTELLECTUAL PROPERTY RIGHT, IS GRANTED HEREIN. SENSATA DATASHEETS ARE PROVIDED "AS IS". SENSATA MAKES NO WARRANTIES OR REPRESENTATIONS WITH REGARD TO THE DATASHEETS OR USE OF THE DATASHEETS, EXPRESS, IMPLIED, OR STATUTORY, INCLUDING ACCURACY OR COMPLETENESS. SENSATA DISCLAIMS ANY WARRANTY OF TITLE AND ANY IMPLIED WARRANTIES OF MERCHANTABILITY, FITNESS FOR A PARTICULAR PURPOSE, QUIET ENJOYMENT, QUIET POSSESSION, AND NON-INFRINGEMENT OF ANY THIRD PARTY INTELLECTUAL PROPERTY RIGHTS WITH REGARD TO SENSATA DATASHEETS OR USE THEREOF.

All products are sold subject to Sensata's terms and conditions of sale supplied at www.sensata.com. SENSATA ASSUMES NO LIABILITY FOR APPLICATIONS ASSISTANCE OR THE DESIGN OF BUYERS' PRODUCTS. BUYER ACKNOWLEDGES AND AGREES THAT IT IS SOLELY RESPONSIBLE FOR COMPLIANCE WITH ALL LEGAL, REGULATORY, AND SAFETY-RELATED REQUIREMENTS CONCERNING ITS PRODUCTS, AND ANY USE OF SENSATA COMPONENTS IN ITS APPLICATIONS, NOTWITHSTANDING ANY APPLICATIONS-RELATED INFORMATION OR SUPPORT THAT MAY BE PROVIDED BY SENSATA.

Mailing Address: Sensata Technologies, Inc., 529 Pleasant Street, Attleboro, MA 02703, USA

CONTACT US

Sensata Technologies
 Jan Tinbergenstraat 80
 7559 SP Hengelo
 The Netherlands
 1-508-236-3800
 +44 (0)1202 897969
cynergy3.enquiries@sensata.com